



WI-PS310GF
8GE+2SFP 48V Ports PoE Switch
with 8-Port PoE
Data sheet

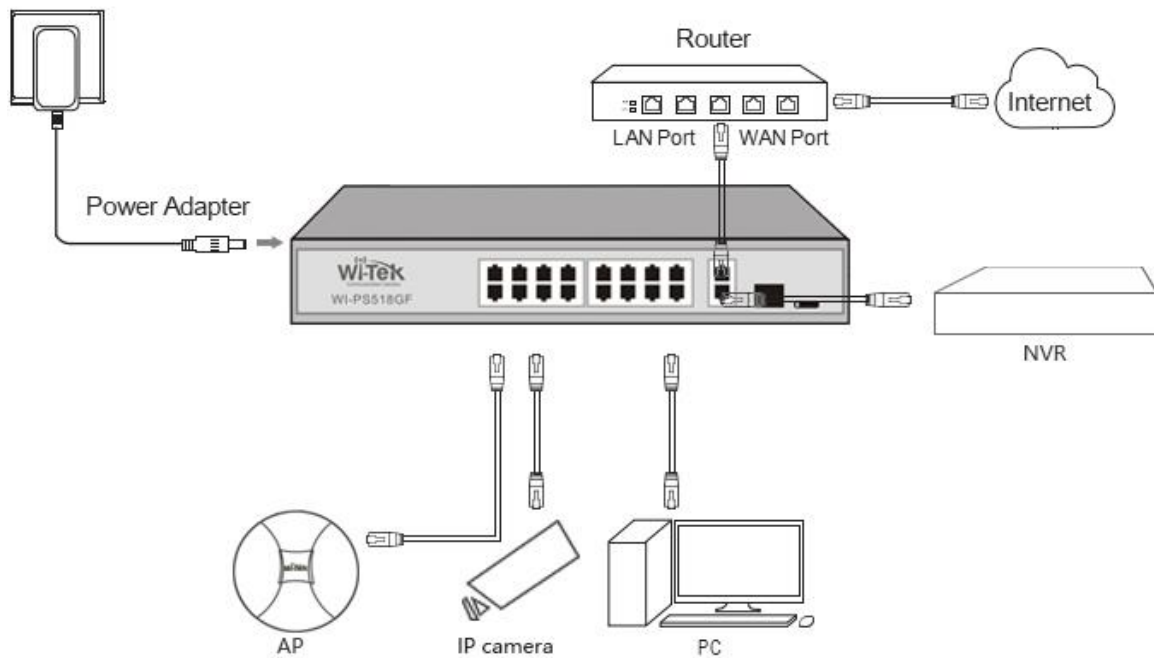
Highlights

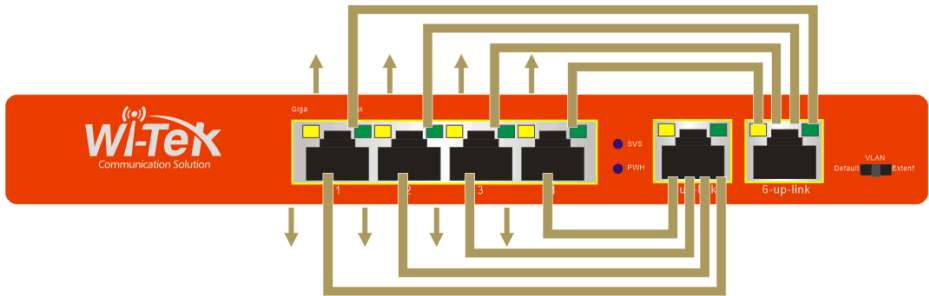
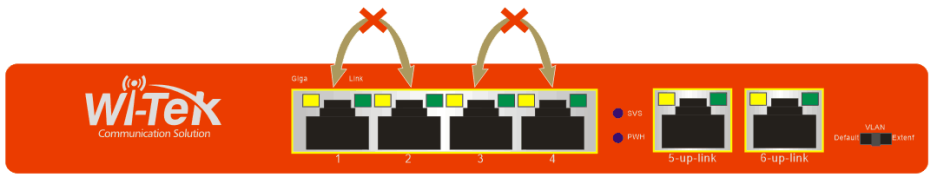
- 8GE+2SFP Full Gigabit Switch with 8 PoE ports
- Supports PoE power up to 30W for each port
- Supports PoE IEEE 802.3af/at compliant PDs
- Internal power adapter supply 150W output power
- Support Port VLAN mode
- LED indicators for LINK/ACT, Power, PoE Status, 100/1000Mbps
- 4K entry MAC address table with auto-learning and auto-aging

Product



Typical Applications





Description

What This Product Does

8GE+2SFP Port Gigabit Switch with 8-Port PoE provides the seamless network connection. It integrates 1000Mbps Gigabit Ethernet and 10/100Mbps Fast Ethernet network capabilities.

How This Product Works

8 Auto-Negotiation RJ45 ports (port-1 to port-8) of the switch support Power over Ethernet (PoE) function. These PoE ports can automatically detect and supply power with those IEEE 802.3af/at compliant Powered Devices (PDs). In this situation, the electrical power is transmitted along with data in one single cable allowing you to expand your network where there are no power lines or outlets, where you wish to fix devices such as APs, IP Cameras or IP Phones, etc.

Easy To Use

WI-PS310GF is easy to install and use. It requires no configuration and installation. With outstanding performance and quality, the WI-PS310GF 8GE+2SFP Port Gigabit Desktop Switch with 8-Port PoE is a great selection for expanding your home or office network.

Specification

HARDWARE FEATURES	
Interface	8GE POE ports

HARDWARE FEATURES

	2 SFP Uplink Ports
Network Media	<p>10Base-T: Pair 2 Category 3(Cat3) and above UTP/STP(≤100m)</p> <p>100Base -TX: Pair 2 Category 5(Cat5) and above UTP/STP(≤100m)</p> <p>1000Base-T: Pair 4 Category 5(Cat5e) and above UTP/STP(≤100m)</p> <p>1000Base-SX:62.5μm/50μm MMF(2m~550m)</p> <p>1000Base-L X:62.5μm/50μm MM(2m~550m) or 10μm SMF(2m~5000m)</p>
Fan Quantity	Fanless
Power Budget	150W
Internal Power Supply	<p>AC 110~240V 50/60HZ</p> <p>DC 48-55V Input</p>
PoE Ports (RJ45)	<p>Standard: 802.3 af/at compliant</p> <p>PoE Ports: Port1- Port8</p> <p>Power Supply: 150W</p>
Exchange Capacity	20G
Mac Address Table	4K

HARDWARE FEATURES

Packet Forwarding Rate	14.9Mpps
Buffer	1.5Mb
Jumbo Frame	10240Bytes
Dimensions	Product Size: 210mm*140mm*45mm (L*W*H)
Protection Leve	Lightning protection 6KV 6KV ESD Contact discharge

SOFTWARE FEATURES

Transmission Method	Store-And-Forward
Advanced Functions	Priority Function Mac Address Auto-Learning And Auto-Aging Store and forward IEEE 802.3x flow control for Full-duplex Mode Backpressure for Half-duplex Mode

OTHERS

Certification	CE, FCC, RoHS
Package Contents	POE Switch Electric Line Guide Book/Warranty Card
Environment	Working Temperature: -10°C~55°C Storage temperature : -40°C~70°C Working Humidity : 10%~90% RH non-condensing Storage Humidity: 5%~90% RH non- condensing



WIRELESS-TEK TECHNOLOGY LIMITED
www.wireless-tek.com
Email: sales@wireless-tek.com
Technical Support: tech@wireless-tek.com